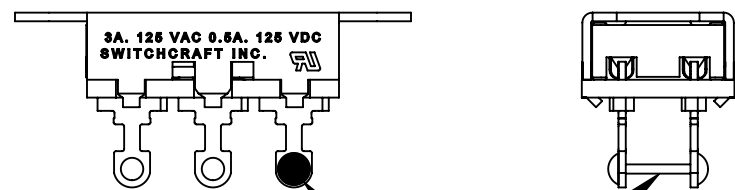


SCHEMATIC
DOUBLE POLE DOUBLE THROW

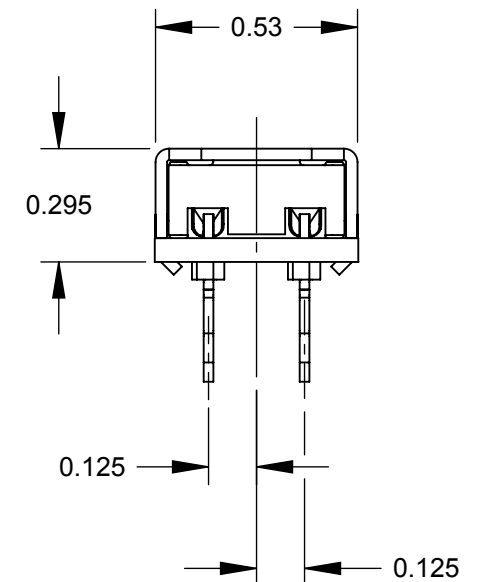
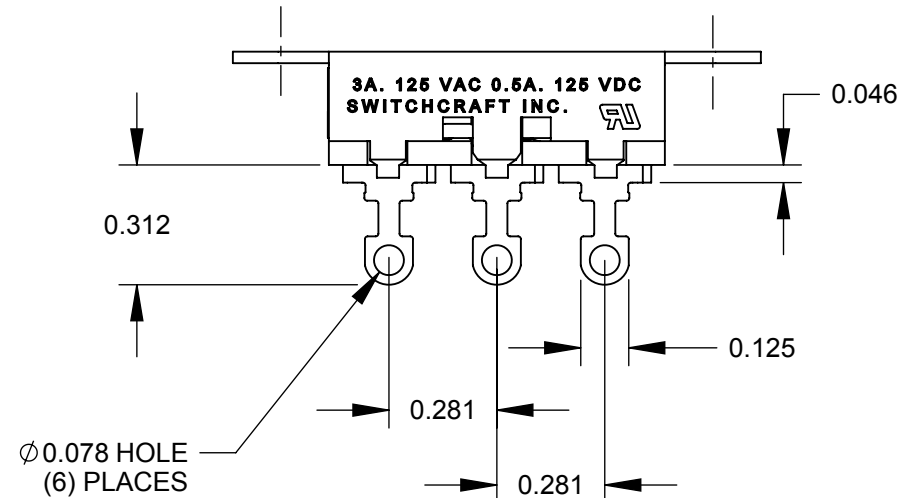
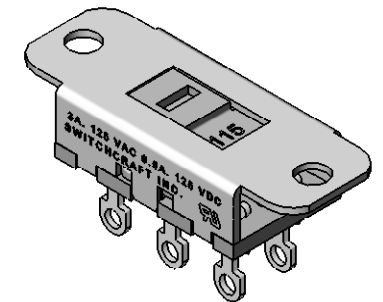
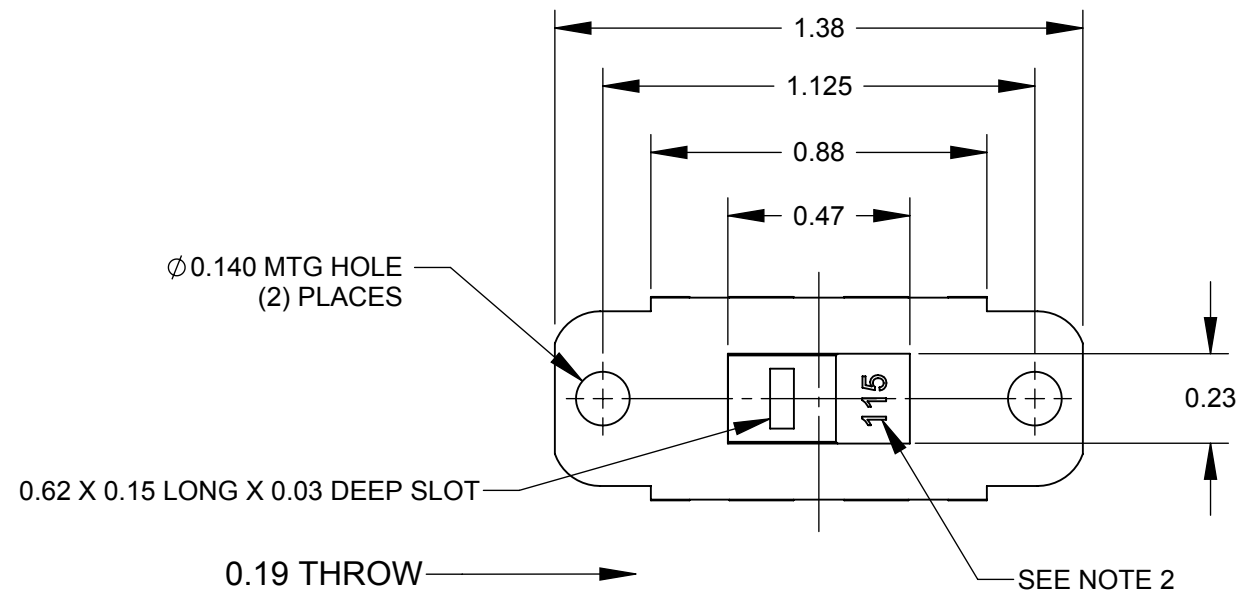
46206LFRX



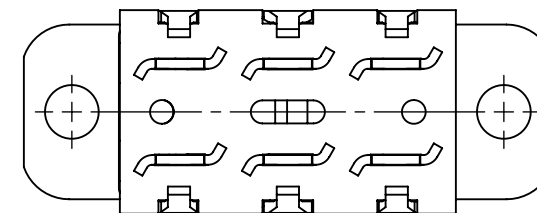
JUMPER

SCHEMATIC
DOUBLE POLE DOUBLE THROW
WITH JUMPER

46256LFRX



**46206LFRX
SHOWN**



CUSTOMER DRAWING

NOTES:

- ALL DIMENSIONS REFERENCE UNLESS OTHERWISE SPECIFIED.
- NUMBERS HOT STAMPED IN WHITE. 230 VISIBLE IN OTHER DIRECTION
- MATERIALS:
HOUSING - STEEL, ZINC PLATED
BUTTON - THERMOPLASTIC, BLACK
TERMINALS & CONTACT SLIDER - BRASS, SILVER PLATED
TERMINAL BOARD - PHENOLIC
- SWITCH RATING:
3 AMP, 125 V.A.C., 0.5 AMP, 125 V.D.C.
- THIS PRODUCT IS RoHS COMPLIANT.

					THIS DRAWING DESCRIBES A DESIGN CONSIDERED PROPRIETARY IN NATURE, DEVELOPED AND MANUFACTURED BY SWITCHCRAFT INC. AND IS RELEASED ON A CONFIDENTIAL BASIS FOR IDENTIFICATION PURPOSES ONLY.							
					UNLESS OTHERWISE SPECIFIED		SIZE	WIDTH	MULT	LBS/M	TEMPER	
					1. ALL DIMENSIONS IN INCHES - TWO PLACE DECIMALS ±0.02 - THREE PLACE DECIMALS ±0.005		FINISH		MATERIAL			
							SPEC No.		SPEC No.			
							FIRST USED ON		SCALE 2:1			
							DATE DRAWN	BY	CHKD	APVD	Switchcraft [®]	
							2/19/09	RS	RS	TJK		
									5/18/09		SHEET 1 OF 1	
							NAME 115 - 230 POWER SELECTION SLIDE SWITCH, RoHS				PART No. 46200LFRX SERIES	REV A
REVISIONS					DO NOT SCALE DRAWING							

SolidWorks CAD File **B**